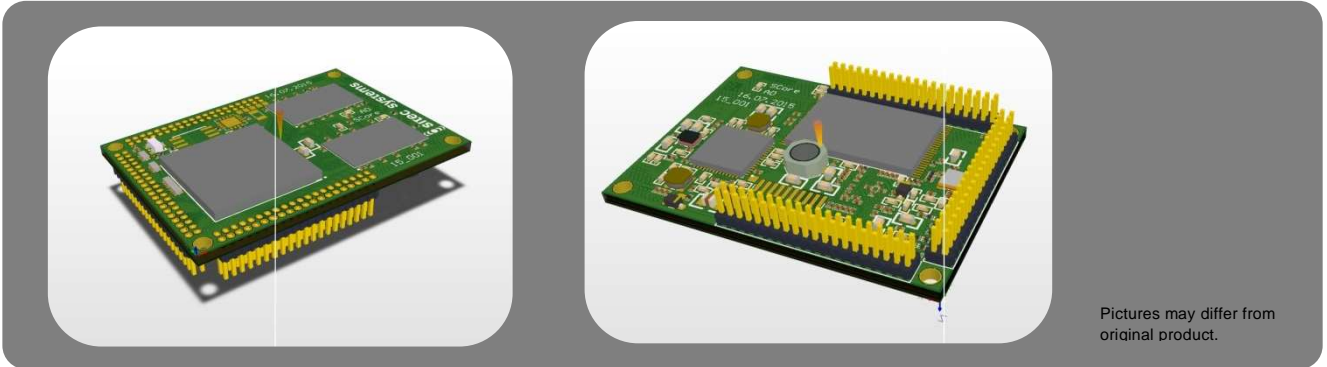


Subject to alterations

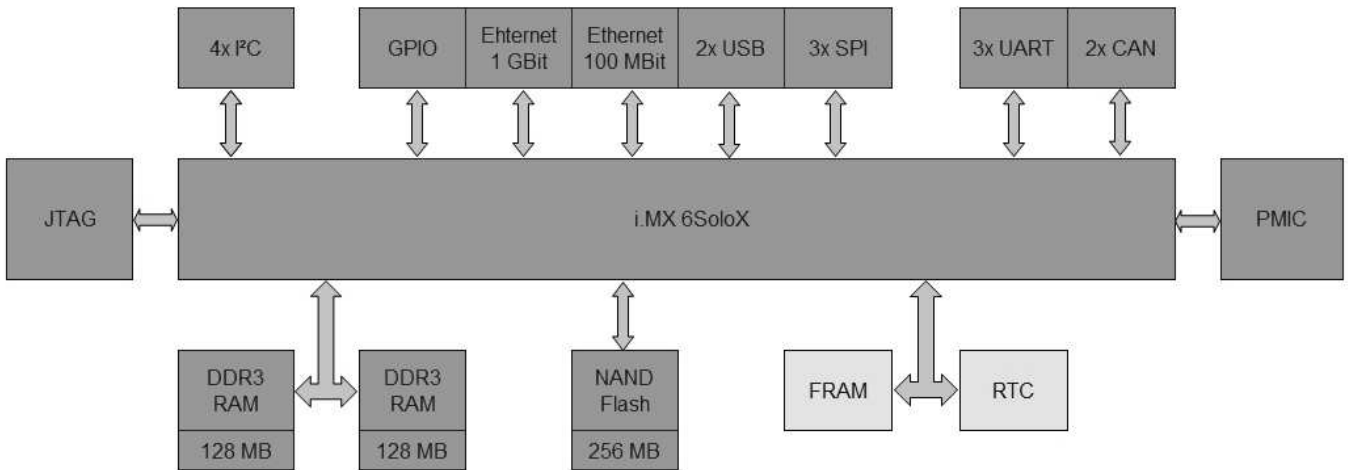


## S Core

The S Core is a space saving processor module which can be freely programmed. It uses an ARM® Linux kernel. A high performance and a long term availability is achieved through the use of new processors ARM® Cortex™ A9 and ARM® M4.

The S Core, as SoM, offers with his Linux typical open source tools new opportunities for applications and makes it easy to get in the world of ARM® Linux.

## S Core Overview



Basic  
Options (\*)

Subject to alterations

## Options and characteristics

|                                     |  |
|-------------------------------------|--|
| Processor                           | i.MX 6SoloX<br>800 MHz<br>2 x 128 MB RAM (DDR3); 256 MB NAND-Flash |
| FRAM*                               | 2 MBit   |
| CAN                                 | Up to 2x CAN 2.0A/B, 1Mbps   |
| I <sup>2</sup> C                    | Up to 4x   |
| GPIO                                | Up to 12x  |
| SPI                                 | Up to 3x   |
| UART                                | Up to 3x   |
| Debug Interface                     | JTAG   |
| Ethernet                            | 1x 100 Mbps<br>1x Gbps   |
| Real Time Clock (RTC)*              | Buffered via accumulator or condenser                              |
| USB                                 | Up to 2x OTG   |
| SD/MMC                              | Up to 2x   |
| Software                            | Board Support Package<br>Linux Kernel 3.14                         |
| Core voltage                        | 3.8..4.4V  |
| Clock                               | Up to 800 MHz  |
| Performance requirements            | Max. 6 W   |
| Temperature range                   | -40°C till +85°C   |
| Size                                | 30 x 45 x 12 mm  |
| Tests / Certifications / Compliance | CE   |

(\*) Optional equipment

## Informationen and contact

**Producer** sitec systems GmbH  
Ammonstraße 70  
D-01067 Dresden

Fon: +49 (0)351 4812920  
Fax: +49 (0)351 4828778  
Mail: [sales@sitec-systems.de](mailto:sales@sitec-systems.de)  
Web: [www.sitec-systems.de](http://www.sitec-systems.de)

**Service provider**

