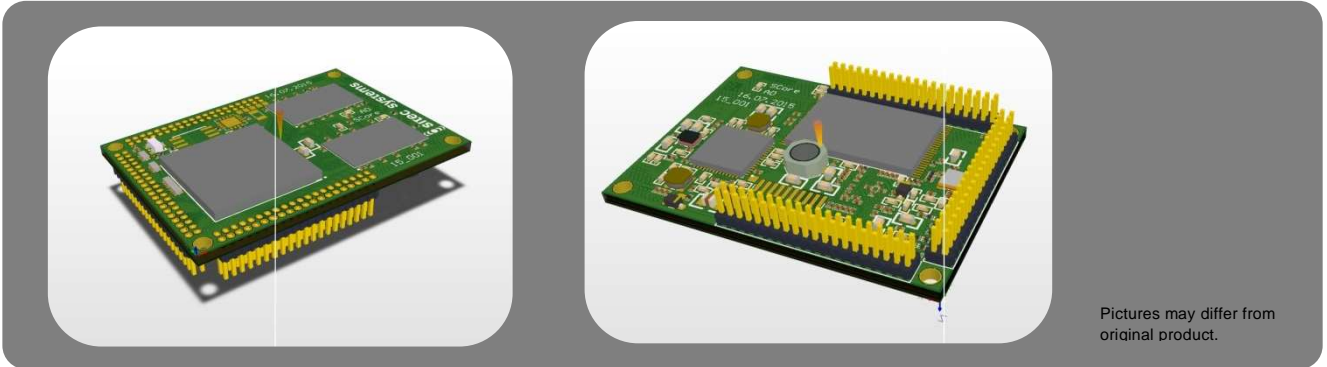


Subject to alterations



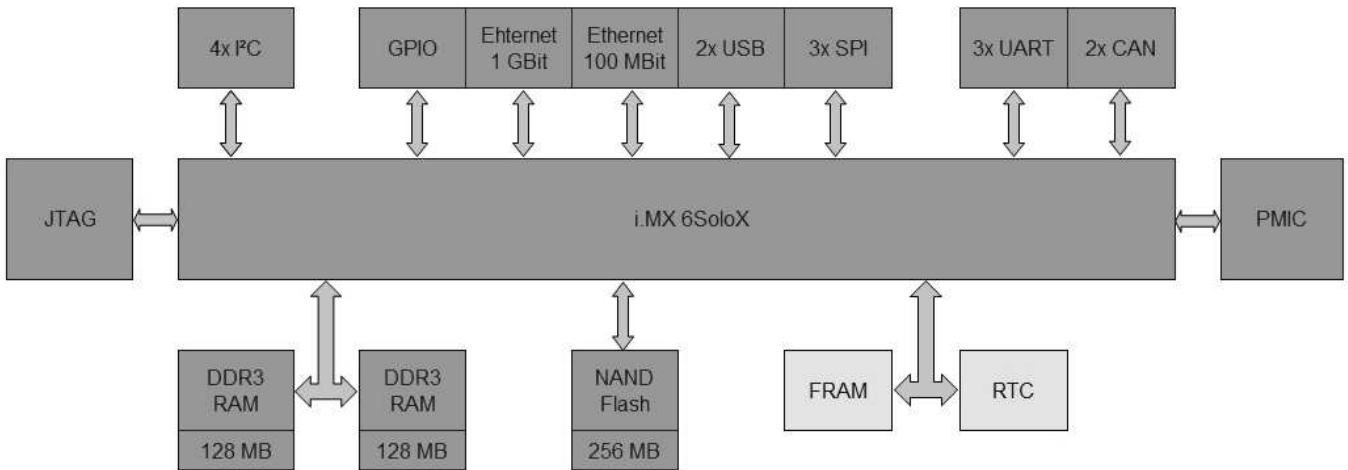
Pictures may differ from original product.

S Core

The S Core is a space saving processor module which can be freely programmed. It uses an ARM® Linux kernel. A high performance and a long term availability is achieved through the use of new processors ARM® Cortex™ A9 and ARM® M4.

The S Core, as SoM, offers with his Linux typical open source tools new opportunities for applications and makes it easy to get in the world of ARM® Linux.

S Core Overview



Basic
Options (*)

Subject to alterations

Options and characteristics

Processor	i.MX 6SoloX 800 MHz 2 x 128 MB RAM (DDR3); 256 MB NAND-Flash
FRAM*	2 MBit
CAN	Up to 2x CAN 2.0A/B, 1Mbps
I ² C	Up to 4x
GPIO	Up to 12x
SPI	Up to 3x
UART	Up to 3x
Debug Interface	JTAG
Ethernet	1x 100 Mbps 1x Gbps
Real Time Clock (RTC)*	Buffered via accumulator or condenser
USB	Up to 2x OTG
SD/MMC	Up to 2x
Software	Board Support Package Linux Kernel 3.14
Core voltage	3.8..4.4V
Clock	Up to 800 MHz
Performance requirements	Max. 6 W
Temperature range	-40°C till +85°C
Size	30 x 45 x 12 mm
Tests / Certifications / Compliance	CE

(*) Optional equipment

Informationen and contact

Producer sitec systems GmbH
Ammonstraße 70
D-01067 Dresden

Fon: +49 (0)351 4812920
Fax: +49 (0)351 4828778
Mail: sales@sitec-systems.de
Web: www.sitec-systems.de

Service provider

