

Subject to alterations



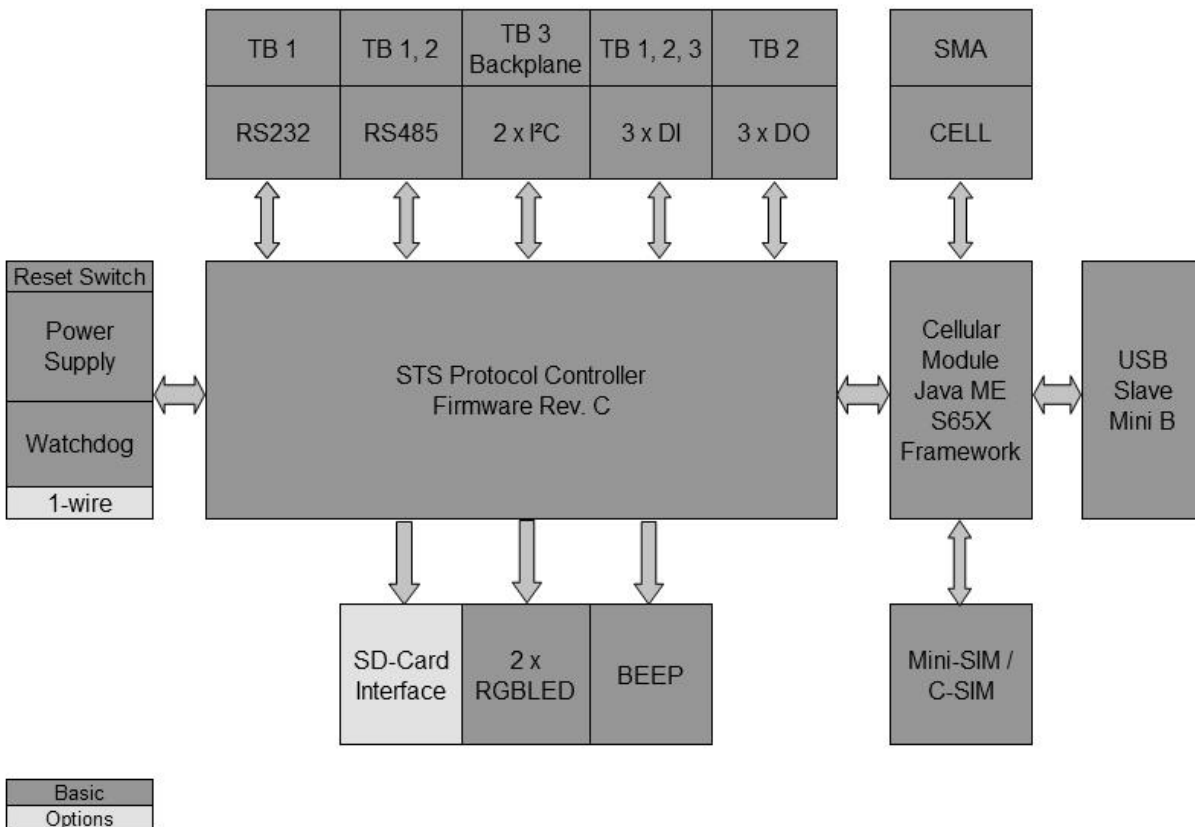
Pictures may differ from original product.

## S3 Control

The S3 Control is a robust, suited for industrial applications DIN rail mounted cellular gateway, which takes into account of the requirements of Industry 4.0. It contains the most common control- and measurement interfaces. The S3 is available for radio standards 2G and 4G. Free programmability, Java ME and the S65X Framework ensures a flexible adaption to various applications in a short time.

Via the I<sup>2</sup>C extender further IO modules can be connected. With the extension module further bus interfaces, digital or analogue inputs or outputs are possible. Remote servicing via OTAP is matter of course for this type of industrial device.

## S3 Overview



Subject to alterations

## Product codes

<b>S3200</b>	GPRS, EDGE, GSM, 10 MB Flash, 5 MB RAM
<b>S3400</b>	LTE, UMTS, HSPA+, GPRS, EDGE, 30 MB Flash, 18 MB RAM

## Characteristics

The S3 contains six ports which can be equipped with 2, 3 or 4 pole connector. Possible are connectors as screw terminal or with actuator.

GPRS, EDGE, GSM	GSM 850/900/1800/1900 MHz EDGE Class 12 data rates, DL: max. 237 kbps, UL: max. 237 kbps GPRS Class 12 data rates, DL: max. 85.6 kbps, UL: max. 85.6 kbps CSD Data: up to 9.6 kbps V.110
LTE, UMTS, HSPA+, GPRS, EDGE	LTE 700/800/900/1800/2100, CAT 1 supported, DL: max. 10.2 Mbps, UL: max. 5,2 Mbps UMTS (WCDMA): 900/2100 MHz HSPA+ DL Cat.8 / UL Cat.6, Dual Carrier, DL: max. 7.2 Mbps, UL: max. 5.76 Mbps GSM 900/1800 MHz EDGE Class 12 data rates, DL: max. 237 kbps, UL: max. 237 kbps GPRS Class 12 data rates, DL: max. 85.6 kbps, UL: max. 85.6 kbps CSD Daten: bis 9.6 kbps V.110
General	SMS Point-to-point MO & MT, cell broadcast, Text/PDU mode Fax Group 3, class 2 / class 1 Control via AT commands TCP/IP stack access via AT commands Internet services: TCP Server/Client, UDP, HTTP, FTP, SMTP, POP3 RLS Monitoring (Jamming Detection)
SIM	SIM 1.8 V, 3 V – Mini SIM (accessible) or Component SIM
Signal transmitter	4 kHz
LED	2 x Application RGB (programmable)
RS232	3-wire interface 7/8 bit 300 - 115200 baud 1 or 2 stop bit(s) MSB / LSB first Optional galvanically isolated
RS485	3-wire interface / 5V 7/8 bit character size MSB / LSB first 300 - max. 16 Mbps 1 or 2 stop bit(s) Half and fully duplex Integrated terminator (can be switched of) end_of_msg character selectable Optional galvanically isolated
1-wire	1-wire Master IO selectable with active or passive 1-wire preload Provides reset/presence, 8-Bit, Single-Bit, and 3-Bit 1-wire IO sequences Standard- und Overdrive 1-wire communication speeds

## Subject to alterations

2 x I <sup>2</sup> C	<p>I<sup>2</sup>C of the cellular radio module are done via 5 pole bus connector                      5V/2A bus supply integrated                      Whole address space (max 112 IO) available                      Common interrupt line for all slaves                      Up to 4nF line capacity allows unshielded cable length up to 40 m length                      400 kHz operation with standard cable up to 20 m                      60 mA bus driver                      I<sup>2</sup>C of the STS controller are done via bus driver to screw terminal</p>
DI	3 digital inputs, galvanically isolated
DO	<p>3 digital outputs                      Resistant up to 2A                      High-Side-Switch                      Current monitoring with open_load detection</p>
USB	USB slave
Protected key	Reset, Factory Default
Power supply	7..42V DC
Temperature range	<p>Operation: -40°C to +75°C                      Switching of automatically at &gt; 80°C                      Storage: -40°C to +85°C</p>
Housing	<p>Top hat rail housing                      Wide: 12,00 mm / 17,5 mm / 22,50 mm                      Up to 24 screw terminals possible</p>
Software / Driver	<p>Hard- and Software-Watchdog                      Update via air interface for firmware and application                      S65X Framework for simplified programming of the devices                      software compatible to S5 and S6</p>
Tests/certifications/compliance	<p>CE EN 55022/9.98+A1/10.00 +A2/1.03                      EN 55024/9.98+A1/10.01 +A2/1.03)                      RoHS</p>

## Extension module

F0021	4 digital inputs	Standard version
F0022	8 digital inputs	Standard version
F0023	4 digital inputs	Industry version
F0024	8 digital inputs	Industry version
F0031	8 digital outputs	Industry version, high side switch
F0040	8 digital outputs	Industry version, Relay
F0051	4 analogue inputs	Voltage
F0052	8 analogue inputs	Voltage
F0053	4 analogue inputs	Current
F0054	8 analogue inputs	Current
F0055	4 analogue inputs	Current and Voltage
F0056	8 analogue inputs	Current and Voltage
F0057	4 analogue inputs / 4 analogue inputs	Current / Voltage
F0058	4 analogue inputs / 4 analogue inputs	Voltage / Current and Voltage

Subject to alterations

## Antennae

KA011-2003	GSM/UMTS roof antenna, IP67	SMA, 30cm cable
KA011-2060	GSM/UMTS roof antenna, IP67	SMA, 600cm cable

## Notes

## Information and contact

**Producer** sitec systems GmbH  
Ammonstraße 70  
D-01067 Dresden

Phone: +49 (0)351 4812920  
Fax: +49 (0)351 4828778  
Mail: [sales@sitec-systems.de](mailto:sales@sitec-systems.de)  
Web: [www.sitec-systems.de](http://www.sitec-systems.de)

**Service provider**